



FX1200 Food Processor



First Use Safety Recommendation

Please read through this booklet for safe and efficient use of the appliance. We urge you read and follow all instructions, even if you are familiar with a similar appliance.

Keep this guide handy for future reference.

English Page 02
Farsi Page 08
Arabic Page 14

FX1200

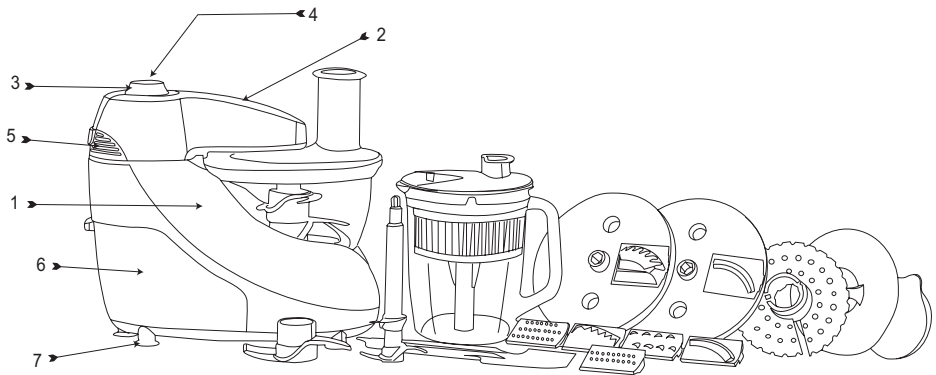
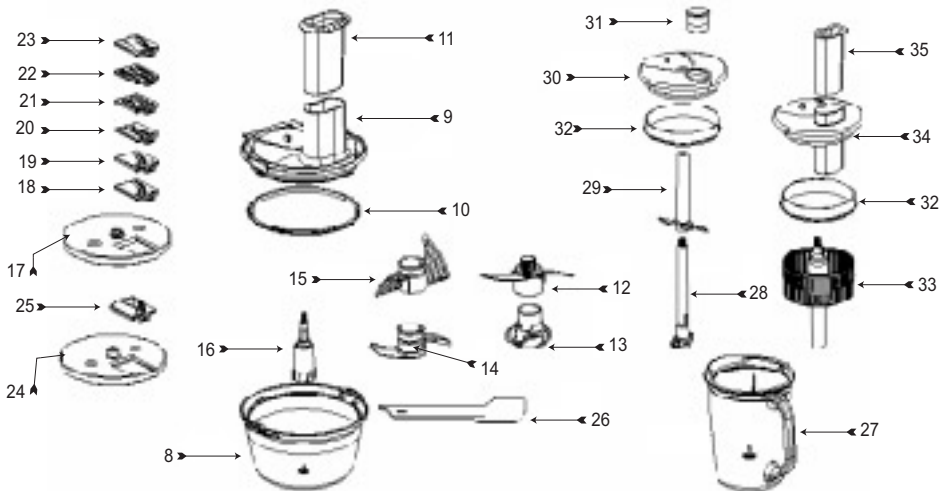


Figure A



Intended use

Your Black & Decker Food Processor has been designed for processing ingredients as listed in this manual.

This appliance is intended for indoor consumer use only.

Safety Instructions

- Warning! When using mains-powered appliances, basic safety precautions, including the following, should always be followed to reduce the risk of fire, electric shock, personal injury and material damage.
- Read all of this manual carefully before using the appliance.
- The intended use is described in this manual. The use of any accessory or attachment or the performance of any operation with this appliance other than those recommended in this instruction manual may present a risk of personal injury.
- Retain this manual for future reference.
- Always route the cord carefully to avoid a tripping hazard.
- Never operate an appliance directly below the socket-outlet it is connected to.

Using your appliance

- Make sure that the appliance is switched off before connecting to or disconnecting from the power supply.
- Always take care when using the appliance.
- Do not use the appliance outdoors.
- Never pull the power supply cord to disconnect the plug from the socket. Keep the power supply cord away from heat, oil and sharp edges.
- Disconnect the appliance from the power supply when not in use, before fitting or removing parts, maintenance and before cleaning.
- Surfaces may be hot during use and during the cool down period
- Do not operate or place any part of this appliance on or near any hot surface, such as a gas or electric burner or in a heated oven.
- When using an extension cord with your appliance, make sure the extension cord is correctly wired & rated for its use.

Safety of others

- Do not allow children or any person unfamiliar with these instructions to use the appliance.
- Do not allow children or animals to come near the work area or to touch the appliance or power supply cord. Close supervision is necessary when the appliance is used near children.
- Never leave an appliance unattended when in use

- Do not allow the cord set to hang over bench tops

After use

- Switch off and remove the plug from the socket before leaving the appliance unattended and before changing, cleaning or inspecting any parts of the appliance.
- When not in use, the appliance should be stored in a dry place. Children should not have access to stored appliances.

Inspection and repairs

- Before use, check the appliance for damaged or defective parts. Check for breakage of parts, damage to switches and any other conditions that may affect its operation.
- Do not use the appliance if any part is damaged or defective.
- Have any damaged or defective parts repaired or replaced by an authorised repair agent.
- Before use, check the power supply cord for signs of damage, ageing and wear.
- Do not use the appliance if the power supply cord or mains plug is damaged or defective.
- If the power supply cord or mains plug is damaged or defective it must be repaired by the manufacturer or its service agent or a similarly qualified person in order to avoid a hazard. Do not cut the power supply cord and do not attempt to repair it yourself.
- Never attempt to remove or replace any parts other than those specified in this manual.
- Do not attempt to repair the appliance. Take it to your nearest Black & Decker-owned or authorised Service Centre for repair.

Double insulation



This appliance is double insulated; therefore no earth wire is required. Always check that the power supply corresponds to the voltage on the rating plate.

Additional safety instructions for Food Processors

- Do not immerse the appliance, cord set or plug in liquids
- Always leave sufficient space around the appliance for ventilation
- Keep loose clothing, hair, jewellery, etc. away from moving parts.
- Do not use the unit if you have wet hands or bare feet.
- Care is needed when handling cutting blades, especially when removing the blades from the bowl, emptying the bowl and during cleaning.
- "Switch off the appliance before changing accessories or approaching parts which move in use".

Features

This appliance includes some or all of the following features (fig. A).

1. Motor housing
2. Swivel head
3. On/Off switch & speed control
4. Pulse control
5. Swivel head release button
6. Blade storage
7. Foot
8. Bowl
9. Bowl lid
10. Lid seal
11. Bowl pusher
12. Upper chopping blade
13. Lower chopping blade
14. Dough blade
15. Whisk
16. Chopping blade spindle
17. Blade carrier
18. Thin slicing blade
19. Thick slicing blade
20. Thin shredding blade
21. Thick shredding blade
22. Parmesan blade
23. French fries blade – small
24. French fries blade carrier
25. French fries blade – large
26. Spatula
27. Jug
28. Lower jug blade
29. Upper jug blade
30. Jug lid
31. Jug lid cap
32. Jug seal
33. Juice extractor
34. Juice extractor lid
35. Juice extractor pusher

Assembly

This appliance requires some assembly to complete the required task. Please refer to the relevant section for particular assembly details.

All parts should be cleaned before use. See “Cleaning” for details.

Use

As a Food Processor

- Carefully fit the lower chopping blade (13) over the chopping blade spindle (16) then fit the upper chopping blade (12) onto the lower blade, rotating the blades in a clockwise direction so they lock together and onto the spindle.
Note: The blades should be at right-angles to each other, forming an X-shape.
- Remove the bowl lid (9), fit the spindle & blades onto the metal pin in the centre of the bowl then re-fit the bowl lid, making sure the lid seal (10) is in place.
- Ingredients can be added to the bowl while the lid is off, or through the chute in the lid using the bowl pusher (11) provided.
- Fit the bowl pusher (11) into the inlet chute in the lid. This should be left in place during use to prevent spills.
- Press the swivel head release button (5), guiding the swivel head (2) as it lifts.
Note: The swivel head cannot be raised if the speed selector (3) is in any position other than “OFF”.
- Place the assembled bowl in the recess in the motor housing (1).
- Rotate the swivel head back towards the motor housing & push it down until it latches in place.
- Connect the appliance to a suitable electrical supply.
- Rotate the speed control (3) to the desired speed until the ingredients are chopped as required then rotate the control back to 0 to turn the appliance off.
- The pulse button (4) can be used instead of the speed control.
- Press the swivel head release button (5), guiding the swivel head (2) as it lifts.
- Lift the bowl from the appliance.
- Remove the bowl lid then carefully remove the spindle & blades & transfer the ingredients to a suitable container.
- The blades can be removed from the spindle individually, rotating them in an anti-clockwise direction.

Processing Guide

Ingredients	Quantity	Speed Setting	Time (seconds)
Meat	1,000g	Max	10 to 20
Onions	700g	5 - Max	10 to 20
Nuts	600g	Max	10 to 20
Fish	700g	Pulse - Max	10 to 20
Cheese	700g	Pulse - Max	10 to 20
Carrots	700g	Pulse - Max	20
Apples	700g	5 - Max	10 to 20
Mayonnaise	4 eggs / 1 litre oil	8 - Max	20

As a Dough Mixer

Fit the dough blade (14) over the chopping blade spindle (16), rotating the blade in a clockwise direction so it locks onto the spindle.

Remove the bowl lid (9), fit the spindle & blades onto the metal pin in the centre of the bowl. Place the ingredients in the bowl, & re-fit the lid, making sure the lid seal (10) is in place.

Liquid ingredients can be added to the bowl through the chute in the lid.

Fit the bowl pusher (11) into the inlet chute in the lid. This should be left in place during use to prevent spills.

Press the swivel head release button (5), guiding the swivel head (2) as it lifts.

Note: The swivel head cannot be raised if the speed selector (3) is in any position other than "OFF".

Place the assembled bowl in the recess in the motor housing (1).

Rotate the swivel head back towards the motor housing & push it down until it latches in place.

Connect the appliance to a suitable electrical supply.

Rotate the speed control (3) to the desired speed until the ingredients are mixed as required then rotate the control back to 0 to turn the appliance off.

Press the swivel head release button (5), guiding the swivel head (2) as it lifts.

Lift the bowl from the appliance.

Remove the bowl lid, spindle & dough blade, & transfer the ingredients to a suitable container.

The blades can be removed from the spindle by rotating it in an anti-clockwise direction.

Note: Never use the whisk (15) to knead dough.

Note: When preparing dough, do not operate the appliance for longer than 20 seconds. After 20 seconds use, wait at least 2 minutes before operating the appliance again.

Note: The maximum capacity of this appliance is 800g of dough (500g of flour and 300g of water).

As a Whisk

Fit the whisk (15) over the chopping blade spindle (16), rotating the whisk in a clockwise direction so it locks onto the spindle.

Remove the bowl lid (9) then fit the spindle & blades onto the metal pin in the centre of the bowl. Place the ingredients in the bowl, & re-fit the lid, making sure the lid seal (10) is in place.

Liquid ingredients can be added to the bowl through the chute in the lid.

Fit the bowl pusher (11) into the inlet chute in the lid. This should be left in place during use to prevent spills.

Press the swivel head release button (5), guiding the swivel head (2) as it lifts.

Note: The swivel head cannot be raised if the speed selector (3) is in any position other than "OFF".

Place the assembled bowl in the recess in the motor housing (1).

Rotate the swivel head back towards the motor housing & push it down until it latches in place.

Connect the appliance to a suitable electrical supply.

Rotate the speed control (3) to the desired speed until the ingredients are mixed as required then rotate the control back to 0 to turn the appliance off.

The pulse button (4) can be used instead of the speed control.

Press the swivel head release button (5), guiding the swivel head (2) as it lifts.

Lift the bowl from the appliance.

Remove the bowl lid, spindle & whisk, & transfer the ingredients to a suitable container.

The whisk can be removed from the spindle by rotating it in an anti-clockwise direction.

Whisking Guide

Ingredients	Quantity	Speed Setting
Eggs	4	1 – Max
Cake mix	800g	8 – Max
Cream	500g	8 - Max

As a Slicer / Shredder

Carefully fit the required blade (18, 19, 20, 21, 22 or 23) to the blade carrier (17) so that the cutting edges are in line with the smooth face of the blade carrier.

Place the chopping blade spindle (16) onto the metal pin in the centre of the bowl then place the holder & blade over the hexagonal portion of the spindle.

Re-fit the bowl lid, making sure the lid seal (10) is in place and place the bowl pusher (11) into the inlet chute in the bowl lid (9).

The bowl pusher should be left in place during use to prevent spills.

Place the assembled bowl in the recess in the motor housing (1).

Rotate the swivel head back towards the motor housing & push it down until it latches in place.

Connect the appliance to a suitable electrical supply.

Rotate the speed control (3) to the desired speed.

Remove the pusher from the inlet chute & add the ingredients through the inlet chute, using the pusher to gently press them onto the cutting blade.

Note: Never insert fingers or allow loose clothing, jewellery, hair, etc. to enter into the inlet chute.

Add ingredients until the bowl is full or sufficient ingredients have been processed then rotate the control back to 0 to turn the appliance off.

Press the swivel head release button (5), guiding the swivel head (2) as it lifts.

Lift the bowl from the appliance.

Remove the lid then take the blade carrier & spindle from the bowl before transferring the ingredients to a suitable container.

The blades can be removed from the carrier by carefully pushing it in the opposite direction of assembly.

Note: The large French fry blade (25) has a unique carrier (23). This cannot be used for any other blade. The large French fry blade & carrier are used in the same way as the other carrier & blades.

Slicing / Shredding Guide

Ingredients	Quantity	Speed Setting
Carrots	500g	1 - 3
Radish	500g	1 – 3
Squash	1,000g	1 – 3
Cucumber	1,000g	1 – 3
Cheese	500g	1 – Max
Potato	500g	1 – 3

As a Blender

Carefully fit the upper jug blade (29) over the lower jug blade (28) rotating the blades in a clockwise direction so they lock together.

Note: The blades should be at right-angles to each other, forming an X-shape.

Remove the jug lid (30) and fit the blades onto the metal pin in the centre of the bowl before replacing the lid, making sure the seal (32) is in place.

Ingredients can be added to the jug while the lid is off, or by inserting them through the hole left when the jug lid cap (31) is removed.

Note: Never insert fingers or allow loose clothing, jewellery, hair, etc. to enter into the inlet.

Press the swivel head release button (5), guiding the swivel head (2) as it lifts.

Note: The swivel head cannot be raised if the speed selector (3) is in any position other than "OFF".

Place the assembled jug in the recess in the motor housing (1).

Rotate the swivel head back towards the motor housing & push it down until it latches in place.

Connect the appliance to a suitable electrical supply.

English

Rotate the speed control (3) to the desired speed until the ingredients are blended as required then rotate the control back to 0 to turn the appliance off.

The pulse button (4) can be used instead of the speed control.

Press the swivel head release button (5), guiding the swivel head (2) as it lifts.

Lift the bowl from the appliance.

Remove the jug lid then carefully remove the spindle & blades & transfer the ingredients to a suitable container.

The blades can be removed from the spindle individually, rotating them in an anti-clockwise direction.

As a Juice Extractor

Place the juice extractor (33) over the metal pin in the centre of the jug (27) & fit the juice extractor lid (34), making sure the seal (32) is in place.

Place the juice extractor pusher (35) into the inlet chute in the juice extractor lid (34).

The pusher should be left in place during use to prevent spills.

Place the assembled juicer in the recess in the motor housing (1).

Rotate the swivel head back towards the motor housing & push it down until it latches in place.

Connect the appliance to a suitable electrical supply. Rotate the speed control (3) to the Maximum speed.

Remove the pusher from the inlet chute & add the ingredients through the inlet chute, using the pusher to gently press them into the juicer.

Note: Never insert fingers or allow loose clothing, jewellery, hair, etc. to enter into the inlet chute. If ingredients jam in the juicer, use the pusher.

Note: If it is not possible to clear a blockage using the pusher, switch off & disconnect the appliance from the electrical supply, then raise the swivel head & open the jug to clear the blockage manually.

Add ingredients until the jug is full or sufficient ingredients have been processed then rotate the control back to 0 to turn the appliance off.

Press the swivel head release button (5), guiding the swivel head (2) as it lifts.

Lift the bowl from the appliance.

Remove the lid & juicer before transferring the ingredients to a suitable container.

Maintenance

Your Black & Decker tool has been designed to operate over a long period of time with a minimum of maintenance. Continuous satisfactory operation depends upon proper tool care and regular cleaning.

Warning! Before performing any maintenance or cleaning of the tool, disconnect the appliance from the power supply.

Ventilation slots should be cleaned occasionally with a clean, dry paint brush.

Cleaning

The motor housing (1) should be cleaned with a clean damp cloth only.

The stainless steel blades can be cleaned in a dishwasher.

Alternatively, they can be washed in warm soapy water. Rinse with clean water and dry thoroughly with a dry soft cloth.

All other parts should be washed in warm soapy water. Rinse with clean water and dry thoroughly with a dry soft cloth.

Note: Do not use abrasives or chemical cleaners on any part of this appliance.

Technical data	FX1200	
Voltage	V	220-240
Power input	W	1,000
Cable length	m	1.0
Container size	l	Processor Bowl 2.2lt Blender Bowl 1.5lt
Weight	kg	9.92Kg



Protecting the environment

Separate collection. This product must not be disposed of with normal household waste.

Should you find one day that your Black & Decker product needs replacement, or if it is of no further use to you, do not dispose of it with other household waste. Make this product available for separate collection.



Separate collection of used products and packaging allows materials to be recycled and used again. Use of recycled materials helps prevent environmental pollution and reduces the demand for raw materials.

Local regulations may provide for separate collection of electrical products from the household, at municipal waste sites or by the retailer when you purchase a new product.

Black & Decker provides a facility for the collection and recycling of Black & Decker products once they have reached the end of their working life. To take advantage of this service please return your product to any authorised repair agent who will collect them on our behalf. You can check the location of your nearest authorised repair agent by contacting your local Black & Decker office at the address indicated in this manual. A list of authorised Black & Decker repair agents and full details of our after-sales service and contact are available on the Internet at: www.2helpU.com

BLACK & DECKER HOME APPLIANCE 2 YEAR WARRANTY

Black & Decker provides a 2 Year Warranty for this product from the date of purchase against defects due to defective materials or workmanship. Motor/element burn-outs due to voltage fluctuations are not covered under warranty. If the product should become defective within the warranty period, Black & Decker will repair or (at Black & Decker's discretion) replace it free of charge.

The warranty provisions do not cover failure due to accident, misuse, abuse, negligence or non observation of local regulations on the part of the user. Equally, the warranty provisions do not apply where the appliance has been serviced by a person not authorized by Black & Decker or serviced with non-approved parts and this has contributed to the fault of the product. Superseded models without a replacement equivalent will either be repaired or (at Black & Decker's discretion) replaced with another product of similar retail value.

UPON PURCHASE

Fill in the Warranty Registration Card with the original Authorized Dealer's stamp (indicating date of purchase) and attach your purchase receipt to it. Retain in case of claims in the future.

MAKING A CLAIM

Take your defective product together with the Warranty Registration Card & purchase receipt to your local service Centre. You can either do this in person or send it freight prepaid. If mailing or shipping your appliance, ensure that it is packed carefully in a sturdy carton with enough packing material to prevent damage. Include a note describing the problem to the service Centre and be sure to give your return address.

DESIGNED FOR DOMESTIC PURPOSES ONLY.

فارسی

ضمانتنامه ۲ ساله لوازم خانگی بلك اند دكر

بلك اند دكر اين محصول را به مدت ۲ سال از تاريخ خريد در برابر ايرادات ناشی از خرابی لوازم يا خطاهای ساخت تضمين می کند. سوختن موتور بر اثر نوسانات برق شهری مشمول اين ضمانت نمی شود. در صورتیکه دستگاه در خلال مدت ضمانت خراب شود، بلك اند دكر آنرا به صلاحديد خود و بطور مجاني تعمير و يا قطعات آنرا تعويض خواهد نمود.

اين ضمانت، ايرادات حاصله بر اثر تصادف، عدم استفاده صحيح، استفاده غلط، بی مبالائی يا عدم توجه به قوانين محلی در جایی که مالك دستگاه در آن سکونت دارد را در بر نمی گيرد. بگونه ای مشابه، در صورتیکه دستگاه توسط تعمير گاهی غير از مراکز تعمير مجاز بلك اند دكر سرويس شده باشد و يا در سرويس آن قطعات غير اصلی بکار رفته که منجر به خرابی دستگاه شده باشد، ضمانت دستگاه از اعتبار خارج می شود. مدل های قديمی که مشابه شان برای جایگزینی ديگر موجود نمی باشد، تعمير شده يا به صلاحديد بلك اند دكر با محصولی ديگر با ارزش مشابه جایگزین خواهند شد.

به هنگام خريد

فرم ثبت ضمانتنامه را پر نموده از فروشنده محصول بخوايد تا آنرا با ذکر تاريخ خريد محصول مهر نموده و رسيد خريد را نيز به آن الصاق نمايد. کارت ضمانت را جهت مراجعات بعدی حفظ نمايد.

روش مطالبه

وسيله معيوب خود را به همراه کارت ضمانت و رسيد خريد آن به نزديکترين مرکز سرويس مجاز محل سکونت خود ببريد. شما می توانيد اينکار را مستقيماً يا توسط پيك پيش بردار انجام دهيد. در صورتیکه دستگاه خود را با پست و يا پيك ارسال می نمايد آنرا داخل يك کارتن محکم قرار داده و اطراف آن را با مواد مخصوص بسته بندی پر کنید تا از آسیب رسيدن به دستگاه به هنگام حمل جلوگیری شود. به همراه دستگاه توضیحي مختصر از ايرادات آن را هم ارسال نموده و ذکر آدرس گيرنده را نيز فراموش نمايد.

طراحی شده تنها جهت مصارف خانگی

به مراقبت صحیح و تمیز نمودن منظم قطعات آن بستگی دارد.

هشدار! پیش از هرگونه تعمیر و نگهداری یا تمیز نمودن دستگاه، سیم برق آنرا از پریز برق خارج نمایید.

سوراخ های تهویه باید هر از چند وقت با یک برس نقاشی خشک و تمیز مورد نظافت قرار گیرند.

نظافت و تمیز نمودن دستگاه

بدنه موتور (۱) را فقط باید با یک پارچه تمیز و مرطوب نظافت نمود.

تیغه های ضد زنگ را می توان با دستگاه ظرفشویی نظافت نمود.

راه دیگر شستن آنها با آب گرم و صابون می باشد. پس از شستشو این قطعات را با آب تمیز آبکشی نموده و با یک پارچه نرم و خشک، کاملاً خشک نمایید.

تمامی بخش های دیگر باید با آب گرم و صابون شستشو شوند. پس از شستشو این قطعات را با آب تمیز آبکشی نموده و با یک پارچه نرم و خشک، کاملاً خشک نمایید.

دقت کنید: از بکار بردن مواد ساینده یا مواد تمیز کننده شیمیایی برای تمیز نمودن بخش های مختلف دستگاه پرهیز نمایید.

مشخصات فنی دستگاه	
ولتاژ	کیلوگرم ۲۴۰-۲۲۰
توان ورودی	ولت ۱,۰۰۰
طول کابل برق	وات ۱,۰
حجم محفظه	متر محفظه غذا ساز ۲/۲ لیتر
	محفظه مخلوط کن ۱/۵ لیتر
وزن	لیتر ۹/۹۲ کیلوگرم

حفاظت از محیط زیست

این وسیله را نباید مانند دیگر زباله های عادی منزل بدور انداخت بلکه باید آنرا از دیگر زباله ها مجزا نمود.



در صورتیکه یکروز محصول بلك اند دگر شما دیگر بکارتان نیامد یا خواستید آنرا با چیز دیگری جایگزین نمایید، آنرا با دیگر زباله های عادی منزل بدور نیاندازید بلکه آنرا جهت جمع آوری از دیگر زباله ها مجزا نمایید.

جداسازی محصولات و بسته بندی ها باعث می گردد تا بتوان آنها را بازیافت نمود و مجدداً مورد استفاده قرار داد. استفاده از لوازم بازیافتی از آلودگی محیط زیست کاسته و نیاز به مواد خام را نیز کاهش خواهد داد.



ممکن است در قوانین محلی محل سکونت تان امکان جمع آوری لوازم الکتریکی منزل در اماکن خاصی توسط شهرداری یا فروشنده تجهیزات در نظر گرفته شده باشد.

کهبانی بلك اند دگر تسهیلاتی را جهت جمع آوری و بازیافت محصولات متعلق به شما (هنگامی که به پایان عمر کاری خود رسیده باشند) را ارائه می نماید. جهت بهره مندی از این امکان لطفاً محصول خود را به هر کدام از نمایندگی های تعمیر مجاز ما تحویل دهید و آنها محصولات را به نیابت از ما تحویل خواهند گرفت. جهت یافتن نزدیک ترین مرکز تعمیر مجاز در محل سکونت تان با دفتر محلی بلك اند دگر در آدرس هایی که در این راهنما ذکر گردیده اند تماس حاصل نمایید. جهت دریافت لیست کامل و جزئیات نمایندگی های خدمات پس از فروش بلك اند دگر و شماره های تماس آنها به آدرس اینترنتی www.2helpU.com مراجعه نمایید.

دگمه کنترل سرعت (۳) را روی سرعت مناسب قرار دهید تا مواد غذایی موجود در پارچ به اندازه دلخواه با هم مخلوط شوند و آنگاه دگمه کنترل را دوباره روی عدد صفر برگردانید تا دستگاه خاموش شود.

بجای دگمه کنترل سرعت می توان از دگمه ضربانی (۴) نیز استفاده نمود. دگمه آزاد کننده سر محور گردان (۵) را فشار داده و سر محور گردان (۲) را بلند نمایید.

پارچ را از روی دستگاه بلند نمایید.

درپوش پارچ را برداشته و سپس محور و تیغه ها را با دقت از داخل آن بیرون آورده و محتویات پارچ را به ظرف مورد نظر خود منتقل نمایید.

تیغه ها را می توان بطور جداگانه از داخل محورشان خارج نمود. اینکار را می توان با چرخاندن آنها در خلاف جهت عقربه های ساعت انجام داد.

استفاده از دستگاه

بعنوان آمیوه گیر

آمیوه گیر (۳۳) را روی پایه فلزی واقع در مرکز پارچ (۳۷) قرار داده و آنگاه درپوش آمیوه گیر (۳۴) را روی آن قرار دهید و از سر جای خود بودن درز گیر آن (۳۲) اطمینان حاصل نمایید.

دسته فشارنده آمیوه گیری (۳۵) را در داخل مجرای درپوش آمیوه گیر (۳۴) قرار دهید.

برای جلوگیری از پرتاب شدن ذرات به خارج، از برداشتن دسته فشارنده محفظه به هنگام کار کردن دستگاه، خودداری نمایید.

آمیوه گیر سرهم بندی شده را روی گودی موجود روی بدنه موتور (۱) نصب نمایید.

سر محور گردان را به سمت بدنه موتور چرخانده و سپس آنرا به پایین فشار دهید تا در سر جای خود قفل شود.

سپس دستگاه را به منبع تغذیه مناسب وصل نمایید.

دگمه کنترل سرعت (۳) را روی سرعت حداکثر قرار دهید.

سپس دسته فشارنده را از مجرای خروجی بیرون آورده و مواد غذایی را با کمک دسته فشارنده به آرامی به داخل آمیوه گیری هدایت نمایید.

دقت کنید: هرگز از انگشتان خود برای فشار دادن مواد غذایی به داخل آمیوه گیری استفاده نکرده و در ضمن آن وارد شدن لباس های گشاد، جواهر آلات و مو به داخل ورودی آن جدا پرهیز نمایید. در صورتیکه مواد غذایی در داخل آمیوه گیری گیر نمایند از دسته فشارنده استفاده نمایید.

دقت کنید: در صورتیکه رفع گرفتگی به کمک دسته فشارنده ممکن نمی باشد، دستگاه را خاموش کرده و آنرا از برق خارج نمایید. سپس سر محور را بلند نموده و با باز کردن پارچ نسبت به رفع گرفتگی بطور دستی اقدام نمایید.

به اضافه نمودن مواد غذایی تا هنگام پیر شدن محفظه و یا آماده شدن میزان مورد نظر خود ادامه داده و پس از اتمام کار دگمه کنترل سرعت را دوباره روی عدد صفر قرار دهید تا دستگاه خاموش شود.

دگمه آزاد کننده سر محور گردان (۵) را فشار داده و سر محور گردان (۲) را بلند نمایید.

پارچ را از روی دستگاه بلند نمایید.

درپوش پارچ را برداشته و سپس محور و تیغه ها را با دقت از داخل آن بیرون آورده و محتویات پارچ را به ظرف مورد نظر خود منتقل نمایید.

مراقبت و نگهداری از دستگاه

دستگاه بلك اند دگر شما بگونه ای طراحی گردیده تا بمدت زمان زیاد و با نیاز به مراقبت و نگهداری اندک کار کند. ادامه کارکرد رضایتبخشانه دستگاه

راهنمای هم‌زدن

مواد غذایی	مقدار	تنظیم سرعت
تخم مرغ	۴	از ۱ تا حداکثر
هم‌زدن کیک	۸۰۰ گرم	از ۸ تا حداکثر
خامه	۵۰۰ گرم	از ۸ تا حداکثر

داخل محفظه هدایت نمائید.

استفاده از دستگاه

بعنوان برش دهنده یا رنده

دقت کنید: هرگز از انگشتان خود برای فشار دادن مواد غذایی به داخل محفظه استفاده نکرده و در ضمن از وارد شدن لباس های گشاد، جواهر آلات و مو به داخل مجرای ورودی جدا پرهیز نمائید.

به اضافه نمودن مواد غذایی تا هنگام پرس شدن محفظه و یا آماده شدن میزان مورد نظر خود ادامه داده و پس از اتمام کار دکمه کنترل سرعت را دوباره روی عدد صفر قرار دهید تا دستگاه خاموش شود.

دکمه آزاد کننده سر محور گردان (۵) را فشار داده و سر محور گردان (۲) را بلند نمائید.

محفظه را از روی دستگاه بلند نمائید.

درپوش محفظه را برداشته و سپس محور و حامل تیغه ها را با دقت از داخل آن بیرون آورده و محتویات محفظه را به ظرف مورد نظر خود منتقل نمائید.

تیغه ها را می توان بطور جداگانه از داخل محورشان خارج نمود. اینکار را می توان با چرخاندن آنها در خلاف جهت نصب انجام داد.

دقت کنید: تیغه سیب زمینی سرخ کرده درشت (۲۵) دارای یک حامل مجزا (۲۴) می باشد. این حامل را نمی توان برای تیغه های دیگر مورد استفاده قرار داد. تیغه سیب زمینی سرخ کرده درشت و حامل آن را می توان دقیقاً به همان روش توضیح داده بالا مورد استفاده قرار داد.

تیغه مورد نظر (۱۸، ۱۹، ۲۰، ۲۱، ۲۲ یا ۲۳) را با دقت روی حامل تیغه (۱۷) قرار دهید، بگونه ای که لبه های برش هم محور با سطح صاف محور تیغه قرار گیرند. محور تیغه خرد کن (۱۶) را روی پایه فلزی واقع در مرکز محفظه قرار داده و سپس پایه و تیغه را روی بخش شش گوش روی محور قرار دهید.

درپوش محفظه را روی آن قرار دهید و از سر جای خود بودن درز گیر آن (۱۰) اطمینان حاصل نمائید. دسته فشارنده محفظه (۱۱) را در داخل مجرای درپوش محفظه (۹) قرار دهید.

برای جلوگیری از پرتاب شدن ذرات به خارج، از برداشتن دسته فشارنده محفظه به هنگام کار کردن دستگاه، خودداری نمائید. محفظه سرهم بندی شده را روی گودی موجود روی بدنه موتور (۱) نصب نمائید.

سر محور گردان را به سمت بدنه موتور چرخانده و سپس آنرا به پائین فشار دهید تا در سر جای خود قفل شود.

سپس دستگاه را به منبع تغذیه مناسب وصل نمائید.

دکمه کنترل سرعت (۳) را روی سرعت مناسب قرار دهید. دسته فشارنده را از مجرای درپوش بیرون آورده و مواد غذایی را از طریق مجرا و با فشار دادن ملایم آنها روی تیغه برش با دسته فشارنده، به

سیب زمینی

راهنمای برش و رنده	مقدار	تنظیم سرعت
مواد غذایی	۵۰۰ گرم	۱ تا ۳
هویج	۵۰۰ گرم	۱ تا ۳
تریچه	۱,۰۰۰ گرم	۱ تا ۳
کدو	۱,۰۰۰ گرم	۱ تا ۳
خیار	۵۰۰ گرم	۱ تا حداکثر
پنیر	۵۰۰ گرم	۱ تا ۳

استفاده از دستگاه

بعنوان مخلوط کن

دقت کنید: هرگز از انگشتان خود برای فشار دادن مواد غذایی به داخل پارچ استفاده نکرده و در ضمن از وارد شدن لباس های گشاد، جواهر آلات و مو به داخل ورودی جدا پرهیز نمائید.

دکمه آزاد کننده سر محور گردان (۵) را فشار داده و سر محور گردان (۲) را بلند نمائید.

دقت کنید: در صورتی که دکمه کنترل سرعت (۳) روی موقعیتی غیر از "خاموش" قرار داشته باشد، امکان بلند کردن سر محور گردان وجود نخواهد داشت.

پارچ سرهم بندی شده را روی گودی موجود روی بدنه موتور (۱) نصب نمائید.

سر محور گردان را به سمت بدنه موتور چرخانده و سپس آنرا به پائین فشار دهید تا در سر جای خود قفل شود.

سپس دستگاه را به منبع تغذیه مناسب وصل نمائید.

تیغه پائینی پارچ (۲۹) را با دقت روی تیغه بالایی پارچ (۲۸) قرار داده و با چرخاندن تیغه ها در جهت عقربه های ساعت کاری کنید تا روی محور به هم قفل شوند.

دقت کنید: تیغه ها باید با هم یک زاویه مناسب ضربدری شکل را تشکیل دهند.

سپس درپوش پارچ (۳۰) را برداشته و تیغه ها را در داخل پایه فلزی واقع در مرکز پارچ قرار داده و نگاه درپوش پارچ را روی آن قرار دهید و از سر جای خود بودن درز گیر آن (۳۲) اطمینان حاصل نمائید.

مواد غذایی را می توان قبل از گذاشتن در پوش و یا از طریق سوراخ موجود روی درپوش پارچ به هنگام برداشتن کلاهک آن (۳۱)، به داخل پارچ ریخت.

راهنمای غذا سازی

مواد غذایی	مقدار	تنظیم سرعت	زمان (به ثانیه)
گوشت	۱,۰۰۰ گرم	حداکثر	۱۰ تا ۲۰
پیاز	۷۰۰ گرم	از ۵ تا حداکثر	۱۰ تا ۲۰
آجیل	۶۰۰ گرم	حداکثر	۱۰ تا ۲۰
ماهی	۷۰۰ گرم	ضریب- حداکثر	۱۰ تا ۲۰
پنیر	۷۰۰ گرم	ضریب- حداکثر	۱۰ تا ۲۰
هویج	۷۰۰ گرم	ضریب- حداکثر	۲۰
سیب	۷۰۰ گرم	از ۵ تا حداکثر	۱۰ تا ۲۰
مایونز	۴ تخم مرغ / ۱ لیتر روغن	از ۸ تا حداکثر	۲۰

استفاده از دستگاه

بعنوان خمیر زن

تیغه خمیر (۱۴) را با دقت روی محور تیغه خرد کن (۱۶) قرار دهید و با چرخاندن آن در جهت عقربه های ساعت کاری کنید تا روی محور قفل شود.

بعنوان همزن

سپس درپوش محفظه (۹) را برداشته، محور و تیغه ها را در داخل پایه فلزی واقع در مرکز محفظه قرار دهید. آنگاه مواد غذایی را به داخل محفظه ریخته و درپوش محفظه را روی آن قرار دهید و از سر جای خود بودن درز گیر آن (۱۰) اطمینان حاصل نمایید.

مواد غذایی را می توان از طریق مجرای موجود روی در پوش نیز به داخل محفظه ریخت.

دسته فشارنده محفظه (۱۱) را در داخل مجرای درپوش قرار داده و برای جلوگیری از پرتاب شدن ذرات به خارج، از برداشتن آن خودداری نمایید. دگمه آزاد کننده سر محور گردان (۵) را فشار داده و سر محور گردان (۲) را بلند نمایید.

دقت کنید: در صورتی که دگمه کنترل سرعت (۳) روی موقعیتی غیر از "خاموش" قرار داشته باشد، امکان بلند کردن سر محور گردان وجود نخواهد داشت.

محفظه سرهم بندی شده را روی گودی موجود روی بدنه موتور (۱) نصب نمایید.

سر محور گردان را به سمت بدنه موتور چرخانده و سپس آنرا به پائین فشار دهید تا در سر جای خود قفل شود.

سپس دستگاه را به منبع تغذیه مناسب وصل نمایید.

دگمه کنترل سرعت (۳) را روی سرعت مناسب قرار دهید تا مواد غذایی موجود در محفظه به اندازه دلخواه با هم مخلوط شوند و آنگاه دگمه کنترل را دوباره روی عدد صفر برگردانید تا دستگاه خاموش شود.

دگمه آزاد کننده سر محور گردان (۵) را فشار داده و سر محور گردان (۲) را بلند نمایید.

محفظه را از روی دستگاه بلند نمایید.

درپوش محفظه را برداشته و سپس محور و تیغه خمیر زنی را با دقت از داخل آن بیرون آورده و محتویات محفظه را به طرف مورد نظر خود منتقل نمایید.

تیغه ها را می توان با چرخاندن آنها در خلاف جهت عقربه های ساعت از روی محور جدا نمود.

نکته ۱: هرگز از همزن (۱۵) برای خمیر زنی استفاده نکنید.

نکته ۲: هنگام خمیر زنی، دستگاه را برای بیش از ۲۰ ثانیه مورد استفاده قرار ندهید. پس از ۲۰ ثانیه استفاده حداقل ۲ دقیقه به دستگاه استراحت

داده و سپس کار خود را دوباره شروع نمایید.

نکته ۳: حداکثر ظرفیت این دستگاه ۸۰۰ گرم خمیر (۵۰۰ گرم آرد و ۳۰۰ گرم آب) می باشد.

استفاده از دستگاه

بعنوان همزن

همزن (۱۵) را با دقت روی محور تیغه خرد کن (۱۶) قرار دهید و با چرخاندن آن در جهت عقربه های ساعت کاری کنید تا روی محور قفل شود. سپس درپوش محفظه (۹) را برداشته، محور و تیغه ها را در داخل پایه فلزی واقع در مرکز محفظه قرار دهید. آنگاه مواد غذایی را به داخل محفظه ریخته و درپوش محفظه را روی آن قرار دهید و از سر جای خود بودن درز گیر آن (۱۰) اطمینان حاصل نمایید.

مواد غذایی مایع را می توان از طریق مجرای موجود روی در پوش نیز به داخل محفظه ریخت.

دسته فشارنده محفظه (۱۱) را در داخل مجرای درپوش قرار داده و برای جلوگیری از پرتاب شدن ذرات به خارج، از برداشتن آن خودداری نمایید.

دگمه آزاد کننده سر محور گردان (۵) را فشار داده و سر محور گردان (۲) را بلند نمایید.

دقت کنید: در صورتی که دگمه کنترل سرعت (۳) روی موقعیتی غیر از "خاموش" قرار داشته باشد، امکان بلند کردن سر محور گردان وجود نخواهد داشت.

محفظه سرهم بندی شده را روی گودی موجود روی بدنه موتور (۱) نصب نمایید.

سر محور گردان را به سمت بدنه موتور چرخانده و سپس آنرا به پائین فشار دهید تا در سر جای خود قفل شود.

سپس دستگاه را به منبع تغذیه مناسب وصل نمایید.

دگمه کنترل سرعت (۳) را روی سرعت مناسب قرار دهید تا مواد غذایی موجود در محفظه به اندازه دلخواه با هم مخلوط شوند و آنگاه دگمه کنترل را دوباره روی عدد صفر برگردانید تا دستگاه خاموش شود.

بجای دگمه کنترل سرعت می توان از دگمه ضربانی (۴) نیز استفاده نمود.

دگمه آزاد کننده سر محور گردان (۵) را فشار داده و سر محور گردان (۲) را بلند نمایید.

محفظه را از روی دستگاه بلند نمایید.

درپوش محفظه را برداشته و سپس محور و همزن را با دقت از داخل آن بیرون آورده و محتویات محفظه را به طرف مورد نظر خود منتقل نمایید.

همزن را می توان با چرخاندن آن در خلاف جهت عقربه های ساعت از روی محور جدا نمود.

نصب و سرهم بندی قطعات دستگاه

این دستگاه برای انجام وظیفه محوله خود به کمی نصب و سرهم بندی نیازمند می باشد. برای کسب اطلاع از جزئیات نصب و سرهم بندی قطعات، به بخش های مربوطه آنها مراجعه نمایید.

تمامی بخش های دستگاه پیش از استفاده باید تمیز گردند. برای این منظور بخش "تلفات و تمیز کردن" را مطالعه نمایید.

استفاده از دستگاه

بعنوان غذا ساز

- تیغه خرد کن پائینی (۱۳) را با دقت روی محور تیغه خرد کن (۱۶) قرار داده و سپس تیغه خرد کن بالایی (۱۲) را روی تیغه پائینی قرار دهید و با چرخاندن تیغه ها در جهت عقربه های ساعت کاری کنید تا روی محور به هم قفل شوند.

دقت کنید: تیغه ها باید با هم یک زاویه مناسب ضربدری شکل را تشکیل دهند.

- سپس درپوش محفظه (۹) را برداشته، محور و تیغه ها را در داخل پایه فلزی واقع در مرکز محفظه قرار داده و آنگاه درپوش محفظه را روی آن قرار دهید و از سر جای خود بودن درز گیر آن (۱۰) اطمینان حاصل نمایید.

- مواد غذایی را می توان قبل از گذاشتن در پوش و یا از طریق مجرای موجود روی در پوش و به کمک دسته فشارنده محفظه (۱۱) داخل آن ریخت.

- دسته فشارنده محفظه (۱۱) را در داخل مجرای موجود روی درپوش محفظه قرار دهید. این دسته باید در خلال مدت استفاده از دستگاه روی آن قرار داشته باشد تا از پرتاب و ریزش ذرات به خارج جلوگیری شود.

- دگمه آزاد کننده سر محور گردان (۵) را فشار داده و سر محور گردان (۲) را بلند نمایید.

دقت کنید: در صورتی که دگمه کنترل سرعت (۳) روی موقعیتی غیر از "خاموش" قرار داشته باشد، امکان بلند کردن سر محور گردان وجود نخواهد داشت.

- محفظه سرهم بندی شده را روی گودی موجود روی بدنه موتور (۱) نصب نمایید.

- سر محور گردان را به سمت بدنه موتور چرخانده و سپس آنرا به پائین فشار دهید تا در سر جای خود قفل شود.

- سپس دستگاه را به منبع تغذیه مناسب وصل نمایید.

- دگمه کنترل سرعت (۳) را روی سرعت مناسب قرار دهید تا مواد غذایی موجود در محفظه به اندازه دلخواه خرد شوند و آنگاه دگمه کنترل را دوباره روی عدد صفر برگردانید تا دستگاه خاموش شود.

- بجای دگمه کنترل سرعت می توان از دگمه ضربانی (۴) نیز استفاده نمود.

- دگمه آزاد کننده سر محور گردان (۵) را فشار داده و سر محور گردان (۲) را بلند نمایید.

- محفظه را از روی دستگاه بلند نمایید.

- درپوش محفظه را برداشته و سپس محور و تیغه ها را با دقت از داخل آن بیرون آورده و محتویات محفظه را به ظرف مورد نظر خود منتقل نمایید.

خصوصیات

این دستگاه دارای تمامی و یا بعضی از خصوصیات زیر می باشد (شکل A)

۱. بدنه موتور
۲. سر محور گردان
۳. دگمه روشن و خاموش و کنترل سرعت
۴. دگمه کنترل گر ضربانی
۵. دگمه آزاد کننده سر محور گردان
۶. محل نگهداری تیغه
۷. پایه
۸. محفظه
۹. سرپوش محفظه
۱۰. درز گیر سرپوش
۱۱. دسته فشارنده محفظه
۱۲. تیغه خرد کن بالایی
۱۳. تیغه خرد کن پائینی
۱۴. تیغه خمیر
۱۵. همزن
۱۶. محور تیغه خرد کن
۱۷. حامل تیغه
۱۸. تیغه مخصوص برش ریز
۱۹. تیغه مخصوص برش درشت
۲۰. تیغه رنده ریز
۲۱. تیغه رنده درشت
۲۲. تیغه پارمیزان
۲۳. تیغه سیب زمینی سرخ کرده- ریز
۲۴. حامل تیغه سیب زمینی سرخ کرده
۲۵. تیغه سیب زمینی سرخ کرده- درشت
۲۶. کفگیر
۲۷. پارچ
۲۸. تیغه پائینی پارچ
۲۹. تیغه بالایی پارچ
۳۰. درپوش پارچ
۳۱. کلاهک درپوش پارچ
۳۲. درز گیر پارچ
۳۳. آمپوه گیر
۳۴. درپوش آمپوه گیر
۳۵. دسته فشارنده آمپوه گیری

مورد مصرف

دستگاه غذا سازن بلك اند دكر شما برای فرآوری و تهیه مواد غذایی که در این دفترچه راهنما به آنها اشاره شده، طراحی گردیده است.

این وسیله تنها جهت مصارف داخلی منزل طراحی گردیده است

- هشدار! به هنگام کار با وسایل برقی، موارد پیشگیرانه ایمنی زیر را باید همواره در نظر داشت تا خطر آتش سوزی، شوک الکتریکی، صدمات فردی و همچنین خرابی دستگاه کاهش یابد. پیش از استفاده از دستگاه تمامی این دستورالعمل ها را به دقت مطالعه نمایید.
- موارد استفاده از دستگاه در این کتابچه توضیح داده شده است. استفاده از هرگونه لوازم جانبی یا استفاده از دستگاه به غیر از مواردی که در این دفترچه راهنما توصیه شده خطرناک بوده و خطر صدمه فردی را به همراه خواهد داشت. این دفترچه راهنما را جهت مراجعات بعدی در جایی مناسب نگهداری نمایید. همواره مواظب باشید تا سیم برق دستگاه در جایی که امکان گیر کردن به پا و کشیده شدن آن وجود دارد قرار نگرفته باشد.
- هرگز دستگاه برقی خود را مستقیماً در زیر پرز برق که به آن متصل می باشد مورد استفاده قرار ندهید.

استفاده از دستگاه

- همواره دقت نمایند که قبل از اتصال یا بعد از کشیدن دستگاه از پرز برق، دستگاه خاموش باشد.
- رعایت دقت به هنگام استفاده از دستگاه همواره امری ضروری بشمار می رود.
- هرگز از دستگاه برای مصارف خارج از منزل استفاده ننمایید.
- هرگز برای جدا نمودن دستگاه از پرز برق، سیم آنرا نکشیده و یا آنرا با فشار و بطور ناگهانی از پرز خارج ننمایید. همواره سیم برق دستگاه را از گرما، روغن و لبه های تیز دور نگه دارید.
- هنگامی که از دستگاه استفاده نمی کنید، قصد نصب یا باز نمودن قطعات آن را دارید یا در زمان تعمیر و نگهداری و پیش از اقدام به تمیز نمودن، آن را از پرز برق خارج ننمایید.
- بعضی سطوح دستگاه ممکن است در خلال استفاده یا به هنگام خنک شدن آن، داغ باشد.

- هرگز دستگاه خود را به روی سطوح داغی از قبیل اجاق گاز یا برق یا در داخل فر داغ مورد استفاده قرار ندهید.
- به هنگام استفاده از سیم رابط یا دستگاه خود، از تناسب سیم با کاربرد مورد نظرتان اطمینان یابید.

ایمنی دیگران

- هرگز به کودکان یا افرادی که به کار با این دستورالعمل ها آشنایی ندارند اجازه استفاده از دستگاه را ندهید.
- هرگز به کودکان و یا حیوانات اجازه نزدیک شدن و یا لمس دستگاه یا سیم برق آن را ندهید. به هنگام استفاده از دستگاه در جایی که کودکان در آن حضور دارند، به سرپرستی و نظارت کامل نیاز می باشد.
- هرگز در زمان استفاده از دستگاه، آن را بدون مراقبت رها ننمایید. اجازه ندهید تا سیم دستگاه از میز یا پیشخوان آویزان بماند.

- پیش از دور شدن و قبل از تعویض قطعات، پاك کردن و یا بازرسی هر بخش از دستگاه، آنرا خاموش نموده و از برق خارج نمایید.
- هنگامی که دستگاه مورد استفاده قرار نمی گیرد باید آنرا در مکانی خشک نگهداری نمود. کودکان نباید به مکان نگهداری دستگاه ها دسترسی داشته باشند.

بازرسی و تعمیر

- پیش از استفاده، دستگاه را از بابت وجود قطعات خراب و یا معیوب امتحان ننمایید. از عدم شکستگی قطعات دستگاه، صدمه کلید ها و هرگونه عاملی که کارکرد صحیح دستگاه را تحت تاثیر قرار می دهند اطمینان یابید.
- در صورتیکه هر بخش از دستگاه خراب و یا معیوب باشد از آن استفاده ننمایید.
- قطعات خراب و یا معیوب را توسط تعمیرکار مجاز تعویض و یا تعمیر ننمایید.
- پیش از استفاده از دستگاه، سیم برق آنرا از جهت وجود علامات صدمه دیدگی، کهنگی و فرسودگی بازرسی ننمایید.
- هرگز دستگاه را در صورتیکه سیم برق و یا دو شاخه آن خراب و یا معیوب می باشد مورد استفاده قرار ندهید.
- در صورتیکه سیم برق و یا دو شاخه دستگاه خراب و یا معیوب می باشد باید آنرا توسط تعمیرکار مجاز تعمیر نمود تا از بروز خطر جلوگیری شود.
- هرگز خود به تنهایی نسبت به بریدن و قطع سیم برق و یا تعمیر آن اقدام ننمایید.
- هرگز شخصاً به برداشتن و یا تعویض قطعات دستگاه بجز انهایی که در این دفترچه راهنما مشخص شده اند اقدام ننمایید.
- هرگز شخصاً جهت تعمیر دستگاه اقدام ننمایید. برای این منظور دستگاه خود را به نزدیکترین مرکز خدمات و سرویس بلك اند دكر تحویل دهید.

عیایق بندی مضاعف



این دستگاه دارای عایق بندی مضاعف می باشد؛ بنابراین نیازی به وجود کابل اتصال به زمین نمی باشد. همواره پیش از شروع بکار، با مطالعه مشخصات فنی موجود روی برچسب دستگاه از همخوانی ولتاژ آن با ولتاژ برق شهر اطمینان حاصل ننمایید.

دستورات ایمنی اضافی برای دستگاه های غذا ساز

- لوازم برقی، سیم و یا پرزهایشان را در داخل آب یا هر گونه مایعات دیگر غوطه ور نسازید.
- همیشه برای تهیه مناسب دستگاه فضای اطراف آنرا باز بگذارید.
- همواره لباسهای گشاد، مو، جواهرالات و از این قبیل را از بخش های متحرک دستگاه دور نگه دارید.
- در صورتی که دست های شما خیس بوده یا پاهایتان لخت است، از دستگاه استفاده ننمایید.
- به هنگام تماس با تیغه های برش، مخصوصاً به هنگام خارج کردن آنها از پارچ، خالی کردن پارچ و در خلال نظافت دستگاه باید بسیار دقت نمود.
- همیشه قبل از تعویض قطعات دستگاه و یا تماس با بخش هایی که بهنگام استفاده متحرک می باشند، دستگاه را خاموش ننمایید

حماية البيئة



يجب عدم التخلص من هذا المنتج مع بقية النفايات المنزلية.

إذا وجدت في يوم من الأيام أنك بحاجة لشراء جهاز بلاك أند ديكر جديد، أو لم تعد بحاجة للجهاز القديم، لا تتخلص منه مع النفايات المنزلية الأخرى. جهز هذا المنتج للإستلام المنفصل.

الإستلام المنفصل للمنتجات المستعملة ومواد التغليف يسمح بإعادة تصنيع المواد واستعمالها من جديد. إستعمال المواد المعاد تصنيعها يساعد على منع التلوث البيئي ويقلل الطلب على المواد الأولية.



الأنظمة المحلية قد تنص على ضرورة الإستلام المنفصل للمنتجات الكهربائية من المنازل، في مواقع البلدية للنفايات أو بواسطة بائع التجزئة عندما تشتري منتجاً جديداً.

توفر بلاك أند ديكر التسهيلات لاستلام وإعادة تصنيع منتجات بلاك أند ديكر عندما تصل إلى نهاية حياتها العملية. للإستفادة من هذه الخدمة، يرجى إعادة جهازك إلى أي وكيل تصليح معتمد والذي سيقوم باستلامه بالنيابة عنا. يمكنك معرفة موقع أقرب وكيل تصليح معتمد بالنسبة لك بمراجعة مكتب بلاك أند ديكر المحلي على العنوان المبين في هذا الكتيب. تتوفر قائمة بأسماء وكلاء التصليح المعتمدين من بلاك و ديكر، كما تتوفر تفاصيل كاملة عن خدمات ما بعد البيع وعناوين الاتصال على شبكة الإنترنت : www.2helpU.com

ضمان شامل لمدة سنتين لأجهزة BLACK & DECKER المنزلية

تمنح Black & Decker ضماناً شاملاً مدته سنتين لهذا المنتج اعتباراً من تاريخ الشراء . يغطي الضمان عيوب التصنيع أو المواد الداخلة في التصنيع. وفي حالة إصابة المنتج بأي عطل أثناء فترة الضمان، ستقوم شركة بإصلاحه أو (وفقاً لتقدير Black & Decker) استبداله مجاناً.

لا يغطي الضمان الأعطال الناتجة عن الحوادث، سوء الاستعمال، الإهمال، الاستعمال الخاطئ، أو عدم اتباع النظم المعمول بها محلياً. كذلك، لا تطبق شروط الضمان إذا تمت صيانة أو تصليح المنتج لدى طرف غير معتمد من قبل شركة Black & Decker، أو في حالة استخدام قطع غيار بدون الرجوع إلى الشركة أو الحصول على موافقتها، وتسببت هذه القطع في العطل. وإذا توقف إنتاج أي طراز مع عدم وجود البديل المناسب، فإن لشركة Black & Decker حق اختيار إصلاح المنتج أو استبداله بطراز آخر بنفس القيمة الشرائية.

عند الشراء

املاً بطاقة تسجيل الضمان مع التأكد من وجود الختم الأصلي للتاجر المعتمد (وتوضيح تاريخ الشراء) ثم ارفق بإيصال الشراء بالبطاقة. الرجاء الاحتفاظ بهما لإبرازهما في حالة وجود مطالبات في المستقبل.

عملية المطالبة

خذ المنتج المعطل مع بطاقة الضمان وإيصال الشراء بنفسك إلى مركز الصيانة المحلي أو يمكنك إرساله بالبريد المدفوعة أجرته سلفاً. وفي حالة إرسال الجهاز بالبريد أو الشحن، تأكد من تفريغ المنتج من الماء كلياً وقم بتغليفه جيداً في صندوق كرتون مقوى مع إضافة مواد تغليف لملاء الفراغات لتفادي إصابته بأي ضرر. ارفق ملاحظة تصف فيها المشكلة لمركز الصيانة وتأكد من كتابة عنوانك.

صُمم للاستعمالات المنزلية فقط.

تحذيراً! قبل إجراء أي عملية صيانة أو تنظيف للجهاز قم بفصله عن مصدر الكهرباء.

يجب تنظيف فتحات التهوية من وقت إلى آخر باستخدام فرشاة دهان نظيفة وجافة.

التنظيف

يجب أن يتم تنظيف وحدة الموتور (١) باستخدام قطعة قماش نظيفة ورطبة فقط.

يمكن تنظيف الشفرات المصنوعة من الستانلس ستيل في غسالة الأطباق أو بدلا عن ذلك يمكن غسلها في ماء دافئ وصابون وشطفها بماء نظيف ثم تجفيفها جيدا بقطعة قماش ناعمة وجافة.

بالنسبة لجميع القطع الأخرى فيجب غسلها في ماء دافئ وصابون وتشتطف بماء نظيف ثم يتم تجفيفها جيدا بقطعة قماش ناعمة وجافة.

ملحوظة: لا تستخدم ورق الصنفرة أو المنظفات الكيماوية على أي قطعة خاصة بهذا الجهاز.

البيانات الفنية	FX1200
الجهد	٢٢٠ - ٢٤٠ فولت
قوة التيار الكهربائي	١٠٠٠ واط
طول الكيل	١,٠ متر
حجم الحاوية	وعاء تحضير الطعام ٢,٢ لتر وعاء الخلط ١,٥ لتر
الوزن	٩,٩٢ كجم

أدر زر التحكم بالسرعة (٣) على السرعة المرغوبة حتى يتم مزج جميع المكونات حسب الرغبة ثم أدر الزر إلى ٠ لإيقاف الجهاز.

يمكن استخدام زر التشغيل بالنبضات (٤) بدلا من زر السرعات.

اضغط على زر تحرير الرأس الدوارة (٥) مع توجيه الرأس الدوارة (٢) أثناء ارتفاعها.

ارفع الوعاء من الجهاز.

ارفع غطاء الإبريق ثم انزع عمود الدوران والشفرات بحرص وقم بنقل المكونات إلى وعاء آخر ملائم.

يمكن إزالة الشفرات من عمود الدوران بشكل فردي بلفها عكس عقارب الساعة.

استخدام الجهاز كعصارة

ضع العصارة (٣٢) على المسمار المعدني في منتصف الإبريق (٢٧) ثم قم بتثبيت غطاء العصارة (٣٤) وتأكد من أن القفل (٣٢) في مكانه.

ضع دافعة العصارة (٣٥) في فتحة الأنبوب الموجودة في غطاء مصفاة العصير (٣٤).

يجب أن تبقى الدافعة في مكانها أثناء الاستخدام لمنع إراقة المكونات.

ضع العصارة المجمعة في التجويف المخصص لها في وحدة الموتور (١).

أدر الرأس الدوارة إلى الخلف نحو وحدة الموتور وادفعها إلى أسفل حتى تثبت في مكانها.

قم بتوصيل الجهاز إلى مصدر كهرباء ملائم.

أدر زر التحكم بالسرعة (٣) على السرعة القصوى.

أزل الدافعة من فتحة الأنبوب وأضف المكونات من خلال الأنبوب باستخدام الدافعة للضغط برفق حتى تصل إلى العصارة.

ملحوظة: لا تقم بإدخال أصابعك أو تسمح بدخول الملابس أو المجوهرات أو الشعر أو غيرها إلى فتحة

الأنبوب. وفي حالة تكسد المكونات في العصارة استخدم الدافعة.

ملحوظة: إذا لم تتمكن من إزالة تكسد المكونات باستخدام الدافعة قم بإيقاف الجهاز وافصله عن مصدر الكهرباء ثم ارفع الرأس الدوارة وافتح الإبريق لتزليل التكسد يدويا.

قم بإضافة المكونات حتى امتلاء الإبريق أو حتى إعداد الكمية الكافية من المكونات ثم أدر زر التحكم إلى ٠ لإيقاف الجهاز.

اضغط على زر تحرير الرأس الدوارة (٥) مع توجيه الرأس الدوارة أثناء ارتفاعها.

ارفع الوعاء من الجهاز.

ارفع الغطاء والعصارة قبل نقل المكونات إلى وعاء آخر ملائم.

الصيانة

لقد تم تصميم جهاز بلاك أند ديكر ليعمل لمدة طويلة بأقل صيانة ويتوقف استمرار تشغيل الجهاز بشكل مرضي على العناية المناسبة به وتنظيفه بصفة منتظمة.

دليل استخدام الخفاقة

المكونات	الكمية	ضبط السرعة
بيض	٤	١ - القصوى
مزيج الكمك	٨٠٠ جرام	٨ - القصوى
كريمة	٥٠٠ جرام	٨ - القصوى

لتقطيع الشرائح والبشر

أزل الدافعة من فتحة الأنبوب وأضف المكونات من خلال الأنبوب باستخدام الدافعة للضغط برفق لتقطيع المكونات على شفرة التقطيع.

ملحوظة: لا تدخل أصابعك أبداً أو تسمح بدخول الملابس أو المجوهرات أو الشعر أو غيره إلى فتحة الأنبوب.

أضف المكونات حتى امتلاء الوعاء أو تحضير كمية كافية من المكونات ثم أدر زر التحكم في السرعة إلى ٠ لإطفاء الجهاز.

اضغط على زر تحرير الرأس الدوارة (٥) مع توجيه الرأس الدوارة (٢) أثناء ارتفاعها.

ارفع الوعاء عن الجهاز.

ارفع الغطاء ثم انزع حامل الشفرة وعمود الدوران من الوعاء قبل نقل المكونات إلى وعاء آخر ملاءم.

يمكن إزالة الشفرات من الحامل عن طريق دفعها بحرص في الاتجاه المعاكس لاتجاه التجميع.

ملحوظة: شفرة تقطيع البطاطا الكبيرة (٢٥) لها حامل خاص بها (٢٢) ولا يمكن استخدامها مع أي شفرة أخرى ويتم استخدام شفرة تقطيع البطاطا الكبيرة والحامل الخاص بها بنفس الطريقة الخاصة بالشفرات والحاملات الأخرى.

قم بتركيب الشفرة المطلوبة (١٨، ١٩، ٢٠، ٢١، ٢٢، أو ٢٣) على حامل الشفرات (١٧) بحيث تكون الحواف القاطعة متوافقة للوجه الناعم من حامل الشفرة.

ضع عمود دوران شفرة الفرم (١٦) على المسمار المعدني في منتصف الوعاء ثم ضع الحامل والشفرة على الجزء السداسي من العمود.

أعد تركيب غطاء الوعاء مع التأكد من أن قفل الغطاء (١٠) في مكانه وضع دافعة الوعاء (١١) في الأنبوب الموجود في غطاء الوعاء (٩).

يجب أن تبقى دافعة الوعاء في مكانها أثناء الاستخدام لمنع إزاحة المكونات.

ضع الوعاء المجمع في التجويف المخصص له في وحدة الموتور (١).

أدر الرأس الدوارة إلى الخلف نحو وحدة الموتور وادفعها إلى أسفل حتى تثبت في مكانها.

قم بتوصيل الجهاز إلى مصدر كهرباء ملاءم.

أدر زر التحكم في السرعة (٣) على السرعة المرغوبة.

دليل تقطيع الشرائح أو البشر

المكونات	الكمية	ضبط السرعة
جزر	٥٠٠ جرام	١ - ٣
فجل	٥٠٠ جرام	١ - ٣
القرع	١٠٠٠ جرام	١ - ٣
الخيار	١٠٠٠ جرام	١ - ٣
الجبن	٥٠٠ جرام	١ - قصوى
البطاطا	٥٠٠ جرام	١ - ٣

استخدام الجهاز كخلاط

قم بتركيب شفرة الإبريق العلوية (٢٩) على شفرة الإبريق السفلى (٢٨) بلف الشفرات في اتجاه عقارب الساعة حتى تثبت مع بعضها.

ملحوظة: يجب أن تكون الشفرات في زاوية قائمة إلى بعضها مكونة شكل X.

ارفع غطاء الإبريق (٣٠) وقم بتركيب الشفرات فوق المسمار المعدني في منتصف الوعاء ثم أعد تركيب الغطاء مرة أخرى متأكداً من وجود قفل الغطاء في مكانه (٣٢).

يمكن إضافة المكونات إلى الإبريق بدون الغطاء أو بإدخالها من خلال الفتحة التي تبقى عند رفع فلنسوة غطاء الإبريق (٣١).

ملحوظة: لا تقم بإدخال أصابعك أو تسمح بدخول الملابس أو المجوهرات أو الشعر أو غيرها إلى الفتحة.

اضغط على زر تحرير الرأس الدوارة (٥) مع توجيه الرأس الدوارة (٢) أثناء ارتفاعها.

ملحوظة: لا يمكن للرأس الدوارة أن ترتفع إذا ما كان زر اختيار السرعة (٣) على أية وضعية غير "الإيقاف" OFF.

ضع الوعاء المجمع في التجويف المخصص له في وحدة الموتور (١).

أدر الرأس الدوارة إلى الخلف نحو وحدة الموتور وادفعها إلى أسفل حتى تثبت في مكانها.

قم بتوصيل الجهاز إلى مصدر كهرباء ملاءم.

دليل إعداد الطعام

المكونات	الكمية	ضبط السرعة	الوقت (بالثواني)
لحم	١٠٠٠ جرام	قصوى	١٠ إلى ٢٠
بصل	٧٠٠ جرام	٥ - قصوى	١٠ إلى ٢٠
مكسرات	٦٠٠ جرام	قصوى	١٠ إلى ٢٠
أسماك	٧٠٠ جرام	نبضات - قصوى	١٠ إلى ٢٠
جبنة	٧٠٠ جرام	نبضات - قصوى	١٠ إلى ٢٠
جزر	٧٠٠ جرام	نبضات - قصوى	٢٠
تفاح	٧٠٠ جرام	٥ - قصوى	١٠ إلى ٢٠
مايونيز	٤ بيضات لكل لتر زيت	٨ - قصوى	٢٠

لتحضير العجين

ملحوظة: أقصى سعة للجهاز هي ٨٠٠ جرام من العجين (٥٠٠ جرام طحين و ٣٠٠ جرام ماء).

استخدام الجهاز كخفاقة

قم بتركيب الخفاقة (١٥) على عمود دوران شفرة الفرم (١٦) بلف الخفاقة في اتجاه عقارب الساعة حتى تثبت في العمود.

ارفع غطاء الوعاء (٩) وقم بتركيب عمود الدوران والشفرة على المسمار المعدني في منتصف الوعاء. أضف المكونات إلى الوعاء وأعد تركيب الغطاء والتأكد من أن قفل الغطاء (١٠) في مكانه.

يمكن إضافة المكونات السائلة إلى الوعاء من خلال الأنبوب الموجود في الغطاء.

قم بتركيب دافعة الوعاء (١١) في فتحة الأنبوب في الغطاء والتي يجب أن تبقى مكانها أثناء الاستخدام لمنع إزاحة المكونات.

اضغط على زر تحرير الرأس الدوارة (٥) مع توجيه الرأس الدوارة (٢) أثناء ارتفاعها.

ملحوظة: لا يمكن للرأس الدوارة أن ترتفع إذا ما كان زر اختيار السرعة (٣) على أية وضعية غير "الإيقاف" OFF.

ضع الوعاء المجمع في التجويف المخصص له في وحدة الموتور (١).

أدر الرأس الدوارة إلى الخلف نحو وحدة الموتور وادفعها إلى أسفل حتى تثبت في مكانها.

قم بتوصيل الجهاز إلى مصدر كهرباء ملائم.

أدر زر التحكم بالسرعة (٣) على السرعة المرغوبة حتى يتم مزج جميع المكونات حسب الرغبة ثم أدر الزر إلى "الإيقاف" الجهاز.

يمكن استخدام زر التشغيل بالنضات (٤) بدلا من زر السرعات.

اضغط على زر تحرير الرأس الدوارة (٥) مع توجيه الرأس الدوارة (٢) أثناء ارتفاعها.

ارفع الوعاء من الجهاز.

ارفع غطاء الوعاء ثم انزع عمود الدوران والشفرة وقم بنقل المكونات إلى وعاء آخر ملائم.

يمكن إزالة الخفاقة من عمود الدوران بلفها عكس عقارب الساعة.

قم بتركيب الشفرة الخاصة بالعجين على عمود دوران شفرة الفرم (١٦) بتدوير الشفرة في اتجاه عقارب الساعة حتى تثبت في العمود.

ارفع غطاء الوعاء (٩) وقم بتركيب عمود الدوران والشفرة على المسمار المعدني في منتصف الوعاء. أضف المكونات إلى الوعاء وأعد تركيب الغطاء والتأكد من أن قفل الغطاء (١٠) في مكانه.

يمكن وضع المكونات السائلة في الوعاء من خلال الأنبوب الموجود في الغطاء.

قم بتركيب دافعة الوعاء (١١) في فتحة الأنبوب في الغطاء ويجب أن تبقى مكانها أثناء الاستخدام لمنع إزاحة المكونات.

اضغط على زر تحرير الرأس الدوارة (٥) مع توجيه الرأس الدوارة (٢) أثناء ارتفاعها.

ملحوظة: لا يمكن للرأس الدوارة أن ترتفع إذا ما كان زر اختيار السرعة (٣) على أية وضعية غير "الإيقاف" OFF.

ضع الوعاء المجمع في التجويف المخصص له في وحدة الموتور (١).

أدر الرأس الدوارة إلى الخلف نحو وحدة الموتور وادفعها إلى أسفل حتى تثبت في مكانها.

قم بتوصيل الجهاز إلى مصدر كهرباء ملائم.

أدر زر التحكم بالسرعة (٣) على السرعة المرغوبة حتى يتم مزج جميع المكونات حسب الرغبة ثم أدر الزر إلى "الإيقاف" الجهاز.

اضغط على زر تحرير الرأس الدوارة (٥) مع توجيه الرأس الدوارة (٢) أثناء ارتفاعها.

ارفع الوعاء عن الجهاز.

ارفع غطاء الوعاء وعمود الدوران وشفرة العجين ونقل المكونات إلى وعاء آخر ملائم.

يمكن إزالة الشفرة من عمود الدوران بلفها بعكس اتجاه عقارب الساعة.

ملحوظة: لا تستخدم الخفاقة (١٥) في عمل العجين.

ملحوظة: عند إعداد العجين لا تقم بتشغيل الجهاز لأكثر من ٢٠ ثانية وبعد ٢٠ ثانية من الاستخدام انتظر دقيقتين على الأقل قبل تشغيل الجهاز مرة أخرى.

التجميع

يتطلب هذا الجهاز بعض التجميع لإنهاء العمل المطلوب. يرجى الرجوع إلى القسم الذي يتناول هذا الجزء لمزيد من التفاصيل حول التجميع الخاص بكل قطعة.

يجب تنظيف جميع القطع قبل الاستخدام. انظر تحت عنوان "التنظيف" لمعرفة التفاصيل.

الاستخدام

كمحضر للطعام

• قم بتركيب شفرة الفرم السفلى (١٢) على عمود الدوران الخاص بهذه الشفرة (١٦) ثم قم بتركيب شفرة الفرم العلوية (١٢) على الشفرة السفلى مع لف الشفرات في اتجاه عقارب الساعة حتى تثبت سويًا فوق عمود الدوران.

ملحوظة: يجب أن تكون الشفرات في زاوية قائمة إلى بعضها مكونة شكل X.

• ارفع غطاء الوعاء (٩) وقم بتركيب عمود الدوران والشفرات فوق المسمار المعدني في منتصف الوعاء ثم أعد تركيب غطاء الوعاء مرة أخرى متأكدًا من وجود قفل الغطاء في مكانه (١٠).

• يمكن إضافة المكونات إلى الوعاء إذا كان الغطاء مرفوعًا أو من خلال الأنبوب الموجود في الغطاء باستخدام دافعة الوعاء (١١).

• قم بتركيب دافعة الوعاء (١١) في فتحة الأنبوب الموجود في الغطاء ويجب أن تبقى الدافعة مكانها أثناء الاستخدام لمنع إزاحة المكونات.

• اضغط على زر تحرير الرأس الدوارة (٥) مع توجيه الرأس الدوارة (٢) أثناء ارتفاعها.

ملحوظة: لا يمكن للرأس الدوارة أن ترتفع إذا ما كان زر اختيار السرعة (٣) على أية وضعية غير "الإيقاف" أو OFF.

• ضع الوعاء المجمع في التجويف المخصص له في وحدة الموتور (١).

• أدر الرأس الدوارة إلى الخلف نحو وحدة الموتور وادفعها إلى أسفل حتى تثبت في مكانها.

• قم بتوصيل الجهاز إلى مصدر كهرباء ملائم.

• أدر زر التحكم بالسرعة على السرعة المرغوبة حتى يتم فرم المكونات حسب الرغبة ثم أدر الزر إلى "الإيقاف" الجهاز.

• يمكن استخدام زر التشغيل بالنبضات (٤) بدلا من زر السرعات.

• اضغط على زر تحرير الرأس الدوارة (٥) مع توجيه الرأس الدوارة (٢) أثناء ارتفاعها.

• ارفع الوعاء من الجهاز.

• ارفع غطاء الوعاء ثم انزع عمود الدوران والشفرات وقم بنقل المكونات إلى وعاء آخر ملائم.

• يمكن نزع الشفرات من عمود الدوران بشكل بواسطة لفها بعكس اتجاه عقارب الساعة.

الخصائص

هذا الجهاز يشتمل على بعض أو كل الخصائص التالية (الشكل أ):

١. وحدة الموتور
٢. الرأس الدوارة
٣. زر التشغيل والإيقاف وزر التحكم في السرعة
٤. التشغيل بالنبضات
٥. زر تحرير الرأس الدوارة
٦. مكان تخزين الشفرات
٧. القاعدة
٨. الإناء
٩. غطاء الإناء
١٠. قفل الغطاء
١١. دافعة الإناء
١٢. شفرة الفرم العلوية
١٣. شفرة الفرم السفلى
١٤. شفرة العجين
١٥. خفاقة
١٦. عمود دوران شفرة الفرم
١٧. حامل الشفرات
١٨. شفرة التقطيع الرفيع
١٩. شفرة التقطيع السميك
٢٠. شفرة البشر الرفيع
٢١. شفرة البشر السميك
٢٢. شفرة جبن البارميزان
٢٣. شفرة تقطيع البطاطا - صغيرة
٢٤. حاملة شفرة تقطيع البطاطا
٢٥. شفرة تقطيع البطاطا - كبيرة
٢٦. ملعقة
٢٧. إبريق
٢٨. شفرة الإبريق السفلى
٢٩. شفرة الإبريق العلوية
٣٠. غطاء الإبريق
٣١. قلنسوة غطاء الإبريق
٣٢. قفل الإبريق
٣٣. عصارة
٣٤. غطاء العصارة
٣٥. دافعة غطاء العصارة

استخدامات الجهاز

محضر الطعام من بلاك أند ديكر مصمم لإعداد المكونات كما هو مبين في دليل المستخدم الذي بين يديك وهذا الجهاز يجب أن يستخدم داخل المنزل فقط.

تعليمات الأمان

تحذير! عند استخدام الأجهزة التي توصل بالكهرباء يجب إتباع احتياطات الأمان الأساسية ومنها التعليمات التالية للإقلال من مخاطر حدوث حريق أو صدمة كهربائية أو إصابات شخصية أو تلف المواد.

- اقرأ دليل المستخدم كاملا وبغناية قبل استخدام الجهاز.
- يوضح الدليل استخدامات هذا الجهاز. إن استخدام أية ملحقات أو قطع إضافية أو القيام بأي عمل بهذا الجهاز بخلاف الموصى به في دليل المستخدم الذي بين يديك قد يشكل خطر التعرض إلى الإصابة الشخصية.
- احتفظ بهذا الدليل للرجوع إليه مستقبلا.
- قم دائما بلف السلك بعناية لتجنب خطر التعثر.
- لا تقم أبدا بتشغيل الجهاز أسفل مقبس الكهرباء الموصل إليه مباشرة.

استخدام الجهاز

- تأكد من أن الجهاز مطفأ قبل توصيله أو فصله من مصدر الكهرباء.
- يجب توخي الحذر دائما عند استخدام الجهاز.
- لا تقم باستخدام الجهاز خارج المنزل.
- لا تقم أبدا بشد السلك الموصل بمصدر الكهرباء لفصل القابس من المقبس واحتفظ بالسلك الكهربائي بعيدا عن الحرارة والزيت والحواف الحادة.

- قم بفصل الجهاز من مصدر الكهرباء في حالة عدم استخدامه وقبل تركيب أو نزع الأجزاء أو للصيانة أو قبل تنظيفه.
- بعض الأسطح قد تكون ساخنة أثناء الاستخدام وفترة تهدئة الجهاز بعد التشغيل.

- لا تقم بتشغيل الجهاز أو وضع أي قطعة من الجهاز على سطح ساخن أو بالقرب منه مثل مواقد الغاز أو الكهرباء أو في فرن ساخن.
- عند استخدام وصلة تمديد مع جهازك تأكد أن وصلة التمديد موصلة جيدا بالجهاز وأنها ملائمة له.

سلامة الآخرين

- لا تسمح للأطفال أو أي أشخاص آخرين باستخدام الجهاز دون الاطلاع على هذه التعليمات.
- لا تسمح باقتراب الأطفال أو الحيوانات إلى منطقة العمل أو لمس الجهاز أو السلك الكهربائي وفي حالة استخدام الجهاز بالقرب من الأطفال فيجب أن يكون ذلك تحت إشراف.

- لا تترك الجهاز بمفرده أثناء تشغيله.
- لا تترك الأسلاك معلقة من فوق المنضدة.

بعد الاستخدام

- قم بإطفاء الجهاز وانزع القابس من المقبس قبل أن تترك الجهاز دون إشراف وقبل القيام بتغيير أو تنظيف أو فحص أي قطعة في الجهاز.

- في حالة عدم استخدام الجهاز يتم حفظه في مكان جاف بعيدا عن متناول الأطفال.

الفحص والإصلاحات

- قبل الاستخدام تأكد من خلو الجهاز من أي قطع تالفة أو بها عيوب وقم بفحص القطع للتأكد من عدم وجود كسور أو تلف في الأزرار أو أية عيوب أخرى قد تؤثر على تشغيل الجهاز.
- لا تستخدم الجهاز إذا ما كانت أي قطعة تالفة أو بها عيوب.
- قم بإصلاح القطع التالفة أو المعيبة أو استبدالها لدى الوكيل المعتمد للإصلاح.
- قبل الاستخدام تأكد من خلو السلك الكهربائي من أية علامات تدل على وجود تلف أو قهديم أو تهاك.
- لا تستخدم الجهاز إذا ما كان السلك الكهربائي أو القابس تالفا أو معيبا.
- إذا كان السلك الكهربائي أو القابس تالفا أو معيبا فيجب أن يتم إصلاحه عن طريق الجهة المصنعة أو الوكيل المعتمد أو شخص بنفس مستوى الكفاءة لتجنب المخاطر. لا تقم بقطع السلك الكهربائي ولا تحاول إصلاحه بنفسك.
- لا تحاول إزالة أو استبدال أي قطعة بخلاف تلك المذكورة في هذا الدليل.
- لا تحاول إصلاح الجهاز بل خذه إلى أقرب متجر لبلاك أند ديكر أو مركز خدمة معتمد لإصلاحه.

عزل مزدوج



- هذا الجهاز يتمتع بميزة العزل المزدوج وهو ما يعني أنك لا تحتاج إلى سلك أرضي وتأكد دائما من توافق جهد مصدر الكهرباء مع جهد الجهاز.

تعليمات الأمان الإضافية الخاصة بمحضرات الطعام

- لا تغمر الجهاز أو السلك أو القابس في السوائل.
- اترك دائما مساحة كافية حول الجهاز للتهوية.
- احتفظ بالملايس أو الشعر أو المجوهرات وغيرها بعيدا عن القطع المتحركة.
- لا تستخدم الوحدة إذا ما كانت يديك مبتلة أو حافي القدمين.
- يجب توخي الحذر عند التعامل مع الشفرات القاطعة وخاصة عند نزعها من الإناء وعند تفريغ الإناء أو أثناء التنظيف.
- قم بإطفاء الجهاز قبل تغيير الملحقات أو الاقتراب من القطع المتحركة أثناء الاستخدام.

Names & Addresses for Black & Decker Service Concessionaries

Afghanistan: Ishan National Co., Opp. Ministry of Justice, Kabul. Tel.: +93-2-2101727. **Algeria:** SARL Outillage Corporation, 04 Route De Dely Brahim Cheraga, Alger. Tel.: +213-21-364363/508, Fax: +213-21-369667. **Bahrain:** Fawaz Al Zayani, P.O.Box 26563, Adliya, Manama. Tel.: +973-17-715252/712756, Fax: +973-17-713789. **Bangladesh:** Ultra Corporation, 8, Kushol Centre, Uttara, Dhaka 1230. Tel.: +880-2-8919272/9756 Ext.28, Fax: +880-2-9887167. **Egypt:** Anasia Egypt for Trading S. A. E., P.O.Box 2443, 110 Mostafa Pafaat Street, Sheraton Heliopolis 11361, Cairo. Tel.: +20-2-2684159, Fax: +20-2-2684169. **Ethiopia:** Tewfik Sherif & Co. Ltd., P.O.Box 5583, Debre Zeit Road, Addis Ababa. Tel.: +251-1-651700/601, Fax: +251-1-650570. **India:** Gryphon Impex Pvt. Ltd., D-6/4, Okhla Industrial Area, Phase-I, New Delhi-110020. Tel.: +91-11-26372602-4, Fax: +91-11-26372601. **Iran:** Tehran - Service Centre of Iran, No 510, South Karger Ave, Below Pasteur Sq. Tehran. Tel.: +98-21-6490608/0656/6407672. **Kish Island:** Cayhan Electric Co., No. 69, Paradise Shopping Centre, Kish Island. Tel.: +98-76444-22894. **Jordan:** Bashilit Hardware, P.O.Box 1564, TLA Ali, Amman. Tel.: +962-6-5350009/4770741, Fax: +962-6-5350012/4789783. **Kenya:** Zylong Enterprises, IPS Building, Kuanda Street, P.O.Box 40877, Nairobi. Tel.: +254-2-338188/199, Fax: +254-2-330642. **Kuwait:** Al Omar Technical Co., P.O.Box 4062, 13041 Safat, Kuwait. Tel.: +965-4848595/0039, Fax: +965-4845652. **Libanon:** Est. F.A. Kettaneh SA, P.O.Box 110242, Dora Highway, Kettaneh Building, Beirut. Tel.: +961-1-255860/6, Fax: +961-1-255891. **Libya:** El Ghoul Brothers, P.O.Box 348, Islamic Call Bldg., Office 201-202, Benghazi. Tel.: +218-61-9097681/4183, Fax: +218-61-9094123. **Madagascar:** Group Tana Confort S. A. R. L., B. P. 1770, Antananarivo. Tel.: +261-20-2264505, Fax: +261-20-2264244. **Malta:** John G. Cassar Ltd., 36 Victory Str, Qormi QRM 06, Malta. Tel.: +356-21-493251, Fax: +356-21-483231. **Mauritius:** Happy World Marketing Ltd., Block 2, Industrial Estate, Coromandel, P.O.Box 429, Port Louis. Tel.: +230-2076700, Fax: +230-2337330/7400. **Nepal:** Universal Trading Centre, P.O.Box 1947, Tripureswor, Kathmandu. Tel.: +977-1-262192/260587/785, Fax: 261154. **Nigeria:** Amin Bros. Eng. Co. Ltd., 30A (Plot 1291), Akin Adesola Street, Victoria Island, Lagos. Tel.: +234-1-3201778, Fax: +234-1-2613667. **Oman:** Oman Mktg. & Service Co., P.O.Box 2734, Ruwi, Muscat. Tel.: +968-560232, Fax: +968-560255. **Pakistan:** Karachi - Ammar Service & Spares, 60, Bank Arcade, Serai Road, Karachi. Tel.: +92-21-2426905, Fax: 2427214/5243. **Pakistan:** Lahore - Electronics Inn, 212-G Raja Centre, Main Market, Gulberg, Lahore. Tel.: +92-42-5756750. **Philippines:** Modern House International Enterprises, 213 Rizal Ave. Extension, between 2nd and 3rd Ave. Kaloookan City. Tel.: +632 366-4487, Fax: +632 366-4489. **Qatar:** Al Muftah Trading & Cont., P.O.Box 875, Doha. Tel.: +974-4650880/4446868, Fax: +974-4441415. **Saudi Arabia:** Dammam - Ebrahim Fawaz Al Zayani, P.O.Box 76026, Al Raka, Dammam. Tel.: +966-3-8140914, Fax: +966-3-8140824. **Jeddah:** Anasia - P.O.Box 50959, Jeddah - 214777. Tel.: +966-2-6710014, Fax: +966-2-6725929. EAC (Al Yousuf) - P.O. Box 30377, Jeddah - 21477. Tel.: +966-2-6519912, Fax: +966-2-6511153. **Madina:** Garziz Trdg. for Bldg. Mat.&Decor., P.O.Box 3364, Madina. Tel.: +966-4-8261490/8227636, Fax: +966-4-8265741. **Riyadh:** Anasia, P.O.Box 18689, Riyadh - 11425. Tel.: +966-1-2693751, Fax: +966-1-4501178. **Yanbu:** Bin Afif, P.O.Box 530 Yanbu, Al Bahr. Tel.: +966-4-3222626/8867, Fax: +966-4-3222210. **Sri Lanka:** Delmege Gen. Equip. Pvt. Ltd., No. 428/1AT. B., Jaya Mawatha (Darley Road), Colombo-10. Tel.: +94-11-2665914, Fax: +94-11-2665915. **Sudan:** United Distribution Company, P.O.Box 325, Sayed Abdul Rehman Street, Khartoum. Tel.: +249-11-772612/777296, Fax: +249-11-770919. **Tanzania:** General Motors Investment, P. O Box 16541, 14 Vingunguti Nyerere Road, Dar Es Salaam. Tel.: +255-22-2862667/5022, Fax: +255-22-2862667/5412/3. **Tunisia:** STE Tunisienne De Quincaillerie Stq., Nvelle Z I 2013, Ben Arous, Tunis, Tunisia. Tel: +216 71386102, Fax: +216 71380412. **UAE:** Abu Dhabi - Light House Electric., P.O.Box 120, Abu Dhabi. Tel.: +971-2-6726131, Fax: +971-2-6720667. **Dubai - Black & Decker (O) A.G.,** P.O.Box 5420, Dubai. Tel.: +971-4-7028234/233, Fax: +971-4-2822765. **Ideal Mach. & Equipmt. R. W/shop** P.O.Box 37116, Al Quoz, Dubai. Tel.: +971-4-3474160, Fax: +971-4-3474157. **Sharjah - McCoy Middle East LLC,** P.O.Box 20228, Sharjah. Tel.: +971-6-5336321, Fax: +971-6-5336320. **Uganda:** The Building Centre, Kitgum House, 52 Station Road, P.O.Box 7436, Kampala. Tel.: +256-41-234567, Fax: +256-41-236413. **Yemen:** Aden - Middle East Trad. Co. Ltd., Mulla Dakka, Aden. Tel.: +967-2-240950, Fax: +967-2-240952. **Sana'a:** Middle East Trad. Co. Ltd., P.O.Box 12363, Hayel Street, Sana'a. Tel.: +967-1-204201, Fax: +967-1-204204. **Taiz:** Middle East Trad. Co. Ltd., Campa area near Al-Kair mosque, Taiz. Tel.: +967-4-231610/232033, Fax: +967-4-219869. **Zimbabwe:** J.D.Distributors, P.O.Box 226, 17 Bessemer Road, Graniteside, Harare. Tel.: +263-4-753913-7, Fax: 753918. **Cyprus:** G. Kyprianou Trading Co Ltd., 51 Prodromou Ave. Strovolos, 1681, P.O. Box 23318 Nicosia Cyprus. Tel.: 00357 22 468170/1, Fax: 00357 22 468186, Email gkttid@spidernet.com.cy



WARRANTY REGISTRATION CARD

YOUR NAME/الإسم _____

YOUR ADDRESS/العنوان _____

POSTCODE/الرمز البريدي _____

DATE OF PURCHASE/تاريخ الشراء _____

DEALER'S NAME & ADDRESS/إسم وعنوان البائع _____

PRODUCT MODEL NO. FX1200